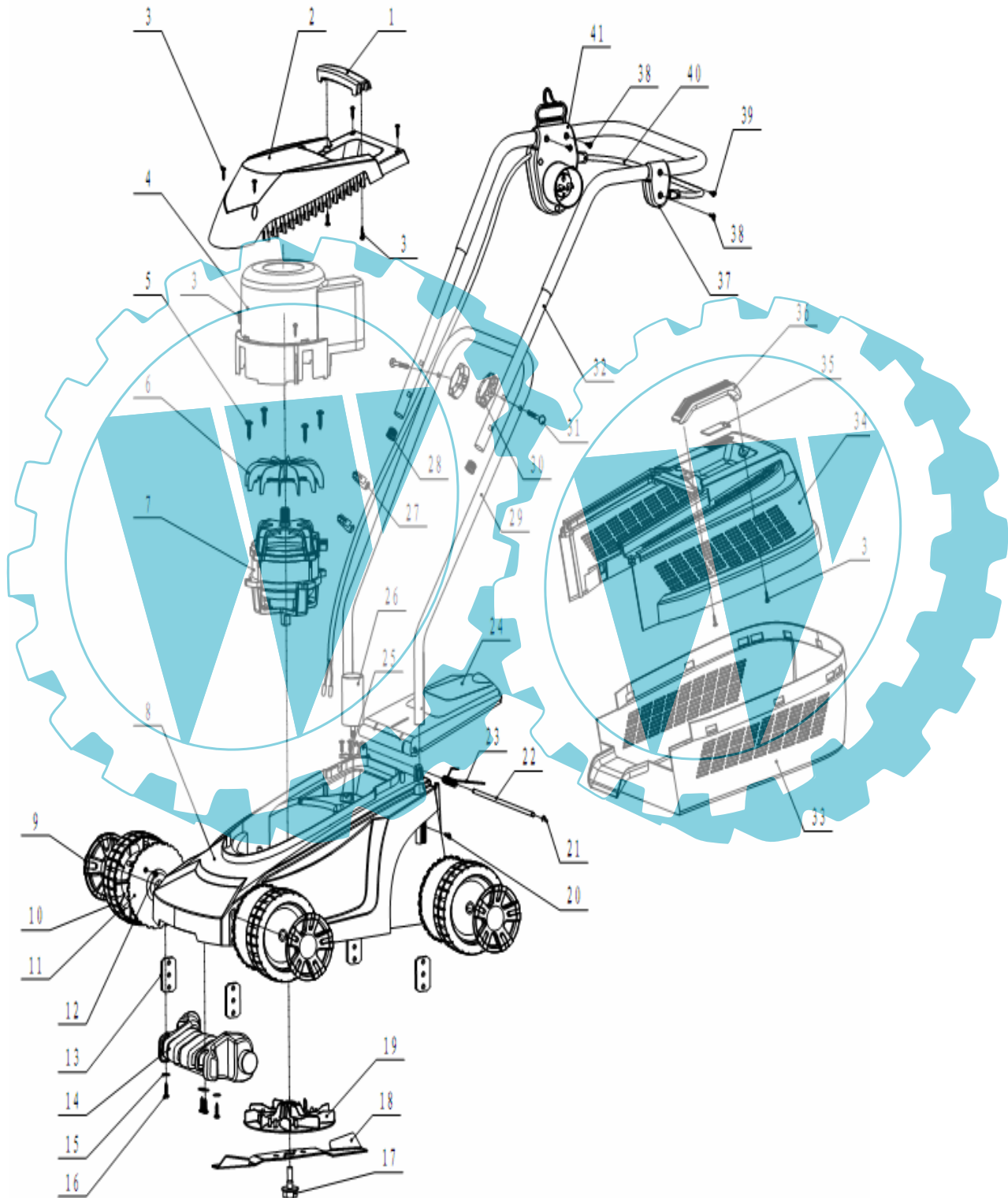


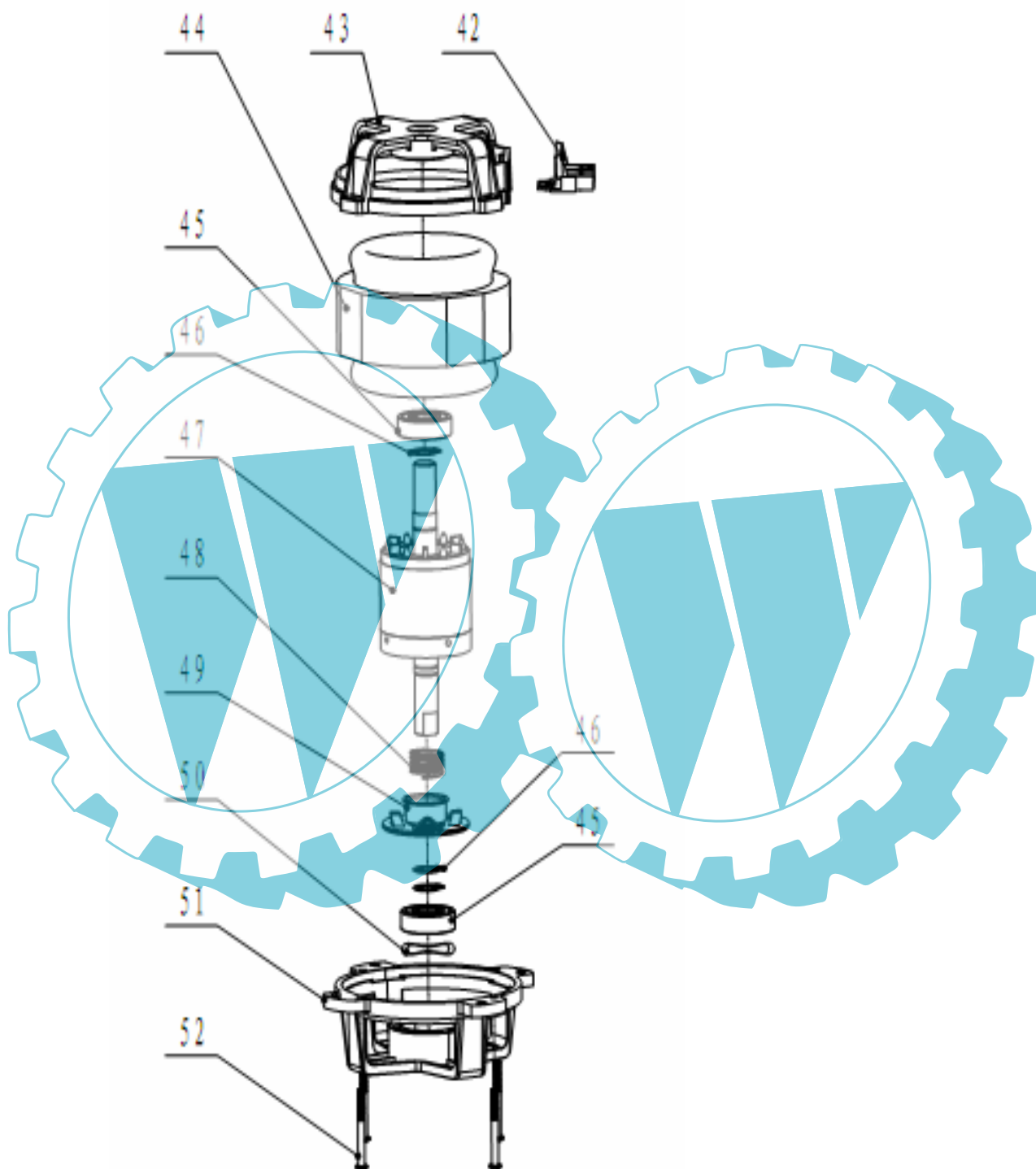


SLM32AA

File: 0110100474ZA

Version: 1.0







Spare Parts List

File: 0110100474ZA

Version: 1.0

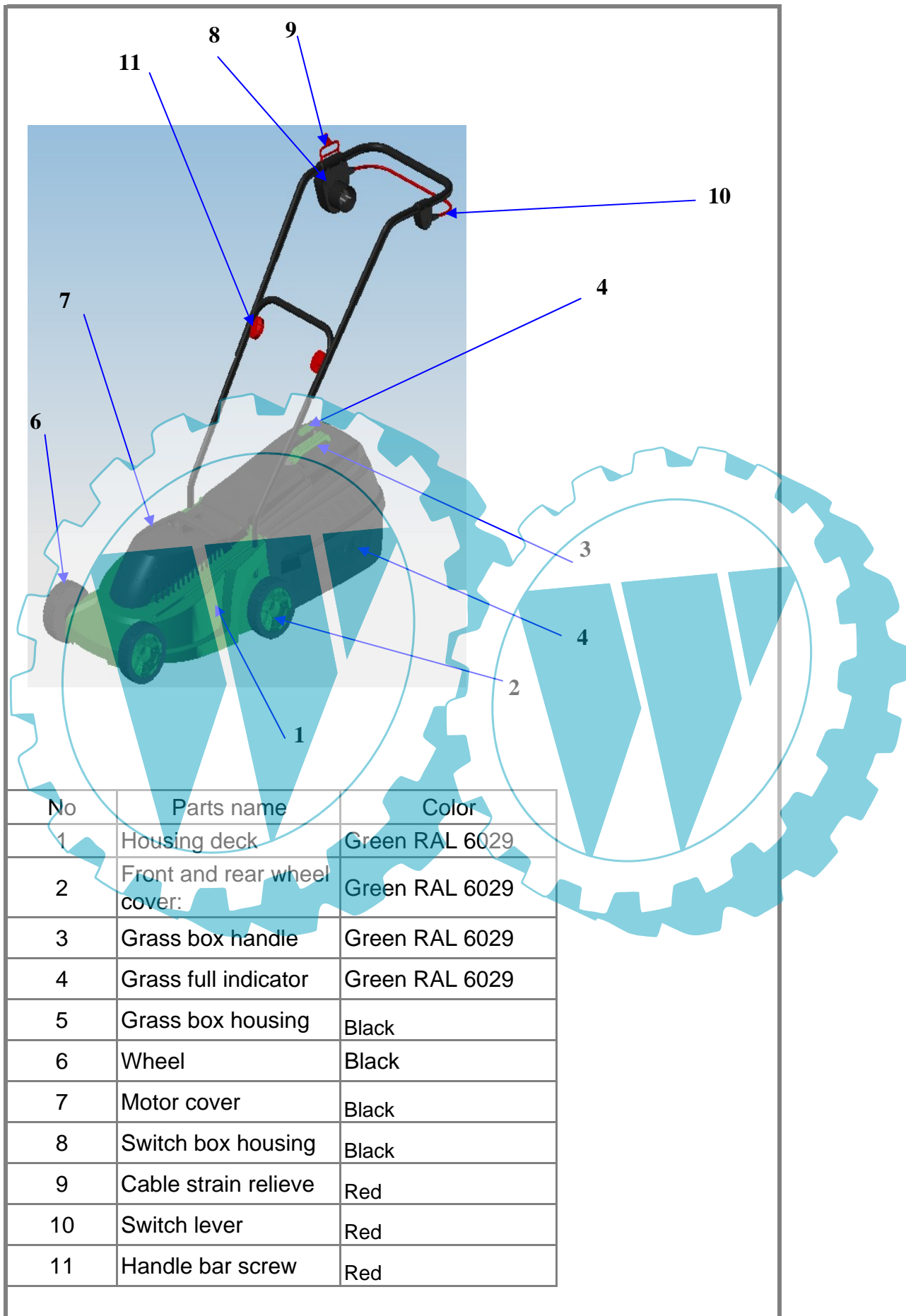
Date: 10th May, 2010

Electric Lawn Mower----SLM32AA

Pos. No	Part code (SUMEC)	Part Description	QTY	losable	damage-able	Consum-able	FOB Unit Price (USD)	Remark
1	476020R9005	carrier	1					
2	476019R9005	motor housing	1					
3	B400024	self-tapping screw ST4.2x16	13					
4	476022R9005	motor cooling cap	1					
5	B400065F	self-tapping screw ST6.3x33	4					
6	476025	upper fan	1					
7	476032	1000W induction motor	1					
8	476018R6029	deck	1					
9	476023R6029	wheel cover	4			Y		
10	474002R9005	wheel	4					
11	474003R9005	inside wheel cover	4					
12	B400023F	self-tapping screw ST4.2x13	12					
13	476001	height adjust plate	4			Y		
14	474008R9005	balance weight	1					
15	B501007	flat washer	4					
16	B400035	self-tapping screw ST4.8x25	4					
17	476027	blade bolt	1		Y			
18	476002	blade	1		Y			
19	476026	lower fan	1		Y			
20	B620002	self-tapping screw ST4.2*16	2					
21	B282007	E clip Circlip Φ4	2					
22	476005	flap shaft	1					
23	476006	torsion spring	1					
24	474001R9005	flap	1					
25	481011	cable fixture plate	1					
26	476032	capacitor 450V 16μF	1					
27	476029R9005	cable clip	2		Y			
28	474903R9005	plug	2					
29	474006R9005	lower handle	1					
30	480022R3020	Knob	2		Y			
31	B103003	bolt M6x50	2		Y			
32	474005R9005	upper handle	1					
33	474204R9005	upper grass catch box	1					
34	474104R9005	lower grass catch box	1					
35	474304R6029	indicator	1					
36	474404R6029	handle	1					
37	474009R9005	supporting box	1					
38	B400029	self-tapping screw ST4.2x25	3					
39	B400027F	self-tapping screw ST4.2x19	1					
40	474007R3020	switch handle	1					
41	474008	switch box	1					
42	476028	wire holder	1					
43	476014	rear bracket	1					
44	476016	stator	1					
45	B700420	bearing	2					
46	B278015	clip for shaft	3					
47	476007	rotor	1					
48	476009	spring	1					
49	476008	brake plate	1					
50	476015	wave washer	1					
51	476013	front bracket	1					
52	B320039	screw bolt	4					

REMARKS:

1. The above quotations are based on RMB/USD=6.8117.
If RMB value increase over 5%, the prices should be adjustable.
2. If main material fluctuated more than 5%, the prices should be adjustable
3. Prices normally valid for one year from the day we offer, except the case we consider it invalid.
4. All prices should be subject to our final confirmation.



No	Parts name	Color
1	Housing deck	Green RAL 6029
2	Front and rear wheel cover:	Green RAL 6029
3	Grass box handle	Green RAL 6029
4	Grass full indicator	Green RAL 6029
5	Grass box housing	Black
6	Wheel	Black
7	Motor cover	Black
8	Switch box housing	Black
9	Cable strain relieve	Red
10	Switch lever	Red
11	Handle bar screw	Red